



CORETEC

# AC SERVO PRESS

Intelligent press system for the new era



CORETEC  
www.coretec.co.jp

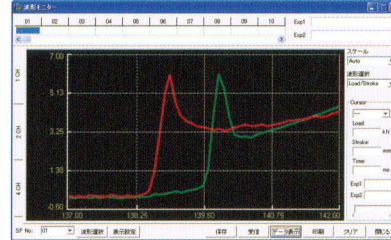


## MAIN APPLICATIONS

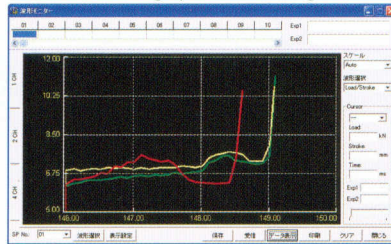
- Bearing press fitting
- Valve seat press fitting
- Valve guide press fitting
- Bushing press fitting
- Plug press fitting
- Riveting
- Pin press fitting
- Multi-stage press fitting
- Flattening/Straightening

## Example of Actual Use (Plug press-fit results)

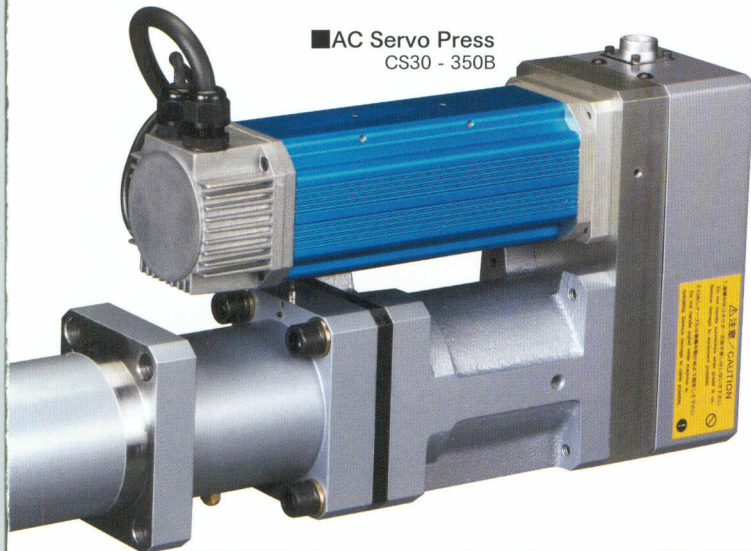
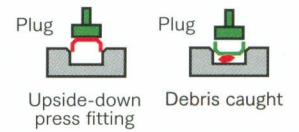
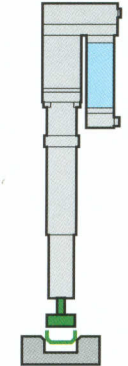
Press-fit results graph (Upside-down press fitting)



Press-fit results graph (Debris caught)



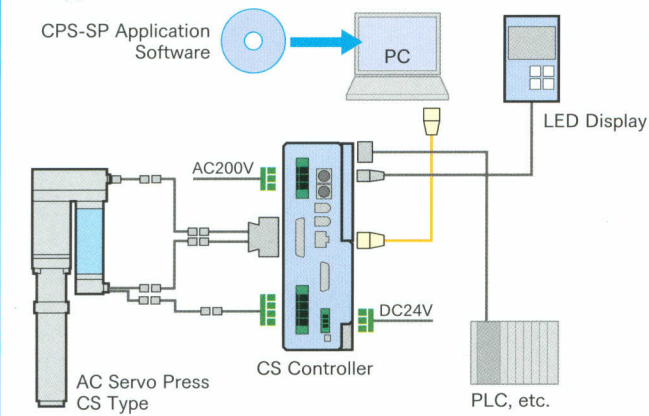
AC servo press



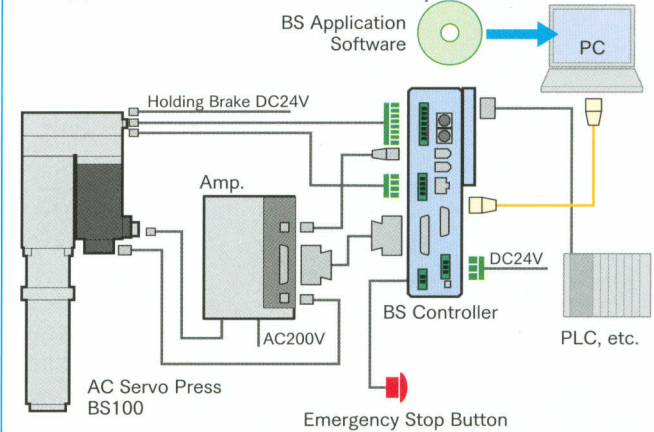
AC Servo Press  
CS30 - 350B

## SYSTEM CONFIGURATION

### CS Type



### BS Type



## CONTROLLERS



Monitoring Only

	CPS Controller	BS Controller	LED Display
Model No.	CPS-SP-75** - □	BS-M3A-**-□	LDS-24
Dim: mm	65 × 230 × 198	51 × 110 × 198	90 × 54 × 18

### How to order

CPS - SP - 75 \*\* - □

Hardware Version  
Software Version

FA Network (optional)

- CC: CC-Link
- DV: DeviceNet
- PF: Profibus DP
- PN: Profinet IO
- EI: EtherNet/IP

BS - M3A - \*\* - □

Hardware Version  
Software Version

# AC SERVO PRESS

## LINEUP

Model No.	MS02	CS05	CS10	CS20	CS30	CS50	BS100	BS200
Max. force* <sup>1</sup> (kN)	2	5	10	20	30	50	100	200
Stroke (mm)	100	100/250		100/200/350			100/200/350	100/200
Max. Speed (mm/s)	225	300	180	270	240	150	150	110
Controller	BS-MR-J4		CPS-SP-75**				BS-M3A-1A + Amp.	
Load Accuracy	± 1.5% @ Load cell FS							
Load Repeatability	± 0.5% @ Load cell FS							
Position Repeatability	± 0.01mm (under identical load)							
Ambient Conditions	0~45°C / 85% or less (with no condensation)							
Max. Power Capacity (kVA)	0.3	0.75	0.75	1.85	2.5	3.5	7.5	10.0

\*1 This is not continuous operating force. 70% of Max. force is recommended for repeated operations.

\*2 Contact us if you require forces larger than BS200

### How to order

#### CS30 – 200 B C

① ② ③ ④

① Model No.

② Stroke (mm)

100/250.....CS05/10

100/200/350.....CS20/30/50/BS100

100/200.....BS200

③ Holding Brake

B: With Holding Brake

-: Without Holding Brake

### How to order

#### BS200 – 200 B C

① ② ③ ④

① Model No.

② Stroke (mm)

100/250.....CS05/10

100/200/350.....CS20/30/50/BS100

100/200.....BS200

③ Holding Brake

B: With Holding Brake

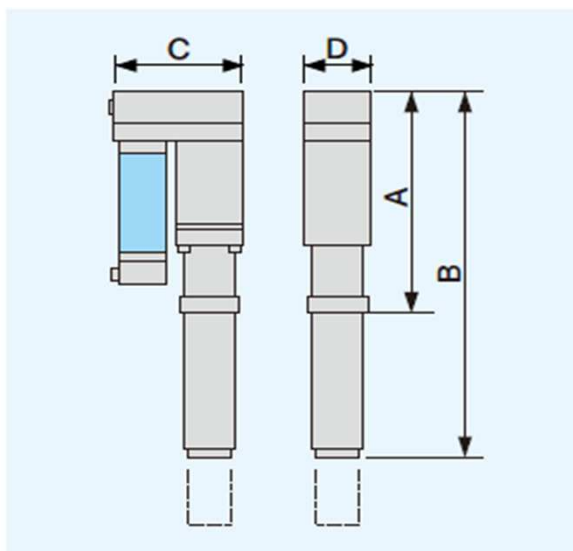
-: Without Holding Brake

④ Built-in Load cell

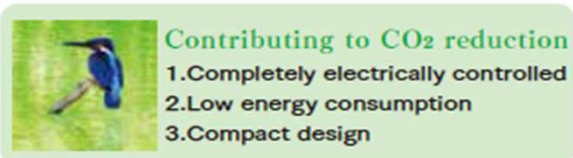
C: Without Built-in Load cell (BS200 only)

-: With Built-in Load cell (as standard)

## TOOL DIMENSIONS



Tool model	A (mm)	B (mm)	C (mm)	D (mm)	Weight (kg)
MS02-100	167	262	108	48	3.6
CS05-100	335	465	150	65	13
CS05-250		670			18
CS10-100	335	465	150	65	13
CS10-250		670			18
CS20-100	390	510	200	80	24
CS20-200		650			28
CS20-350		850			34
CS30-100	398	555	215	94	32
CS30-200		680			36
CS30-350		860			42
CS50-100	565	810	260	135	73
CS50-200		890			79
CS50-350		1070			93
BS100-100	535	780	290	135	84
BS100-200		860			90
BS100-350		1040			104
BS200-100	721	1038	451	228	170
BS200-200		1138			184



\* Specifications, dimensions and shape are subject to change without prior notification



**CORETEC INC.**

Headquarters:  
500 Akahama, Soja-shi, Okayama 719-1121, Japan  
TEL +81 866-94-9011 FAX +81 866-94-1178  
<http://www.coretec.co.jp/> E-mail: info@coretec.co.jp

